

Body

330 Floor Covering

With: STANDARD _____ 1

TRIM & COVE MOLDINGS
_____ 2

WHEELHOUSING TRIM
With: OPTION 1014-00 1014-01 31024-02 31024-04
_____ 3

TCRE

Models: AAFE, AARE, A1VC, A3FE, A3RE, BBCV, C1FE, C3FE, C4RE, MBWB, SBCV, TCPE,

With Features: STANDARD

Key	PartNumber	Qty	Description	Comment
NI	2648137		CEMENT,CONTACT,FLOOR COVERING,	GALLON
NI			FLOOR COVERING 1/8 IN. X 38 13/16 IN.,	SPECIFY LENGTH IN YARDS
NI	0854307		FLOOR COVERING,SMTH,BLK,RUBBER,.125 X	STANDARD FEATURE 31021-01
NI	0854315		FLOOR COVERING,SMTH,GRN,.125 X 38.12	OPTION 905, FEATURE 31021-06
NI	1992833		FLOOR COVERING,SMTH,GRY,RBR,.125X 38.12	OPTION 906, FEATURE 31021-09
NI	1066968		FLOOR COVERING,SMTH,TAN,RUBBER,.125 X	FEATURE 31021-07
NI	1685361		FLOOR COVERING,SMTH,GRY,.125 X 38.12	
NI	0018388		FLOOR COVERING,SMOOTH,BLUE,RBR,.125X	FEATURE 31021-11
NI			FLOOR COVERING 1/8 IN. X 37 IN., SMOOTH	SPECIFY LENGTH IN YARDS
NI	1673300		FLOOR COVERING,SMOOTH,MEDIUM GRAY	OPTION 906, FEATURE 31021-09
NI	0018389		FLOOR COVERING,SMOOTH,RCA BLUE	FEATURE 31021-11
NI			FLOOR COVERING 1/8 IN. X 28.62 IN., SMOOTH	SPECIFY LENGTH IN YARDS
NI	0039037		FLOOR COVERING,SMTH,BLK,RUBBER,.125 X	STANDARD FEATURE 31021-01
NI	0039039		FLOOR COVERING,SMTH,GRN,RUBBER,.125 X	FEATURE 31021-06
NI	0039038		FLOOR COVERING,SMTH,TAN,RUBBER,.125 X	FEATURE 31021-07
NI	0039040		FLOOR COVERING,SMTH,GRY,RBR,.125X28.62	FEATURE 31021-09
NI	0039041		FLOOR COVERING,SMTH,BLUE,RBR,.125 X	FEATURE 31021-11
NI			FLOOR COVERING 1/8 IN. X 33.37 IN., SMOOTH	SPECIFY LENGTH IN YARDS
NI	0039037		FLOOR COVERING,SMTH,BLK,RUBBER,.125 X	STANDARD. FEATURE 31021-01
NI	0039310		FLOOR COVERING,SMTH,GRN,RUBBER,.125 X	FEATURE 31021-06
NI	0039308		FLOOR COVERING,SMTH,TAN,RUBBER,.125 X	FEATURE 31021-07
NI	0039311		FLOOR COVERING,SMTH,GRY,RBR,.125X33.37	FEATURE 31021-09
NI	0039312		FLOOR COVERING,SMTH,BLUE,RBR,.125 X	FEATURE 31021-11
NI			FLOOR COVERING 1/8 IN. X 3.9 IN., SMOOTH	SPECIFY LENGTH IN YARDS
NI	0046108		FLOOR COVERING,SMTH,TAN,RUBBER,.125X39	FEATURE 31021-07
NI	0046110		FLOOR COVERING,SMOOTH,GRAY RUB,.125X39"	FEATURE 31021-09
NI	0046111		FLOOR COVERING,SMOOTH,BLUE	FEATURE 31021-11
NI			AISLE COVERING, 3/16 IN. X 13 1/2 IN.,	SPECIFY LENGTH IN YARDS
NI	0854323		FLOOR COVERING,RIB,BLK,RUBBER,.1875 X	STANDARD. FEATURE 31021-01
NI	1992841		FLOOR COVERING,RIB,GRY,RBR,.187 X 13.50	OPTION 906, FEATURE 31021-09
NI	0854331		FLOOR COVERING,RIBBED,GRN,RBR,.187 X	FEATURE 31021-06
NI	1066935		FLOOR COVERING,RIBBED,TAN,RBR,.187 X	FEATURE 31021-07, -27
NI	1685379		FLOOR COVERING,RIBVBED,GRY,RBR,.187 X	FEATURE 31021-08
				FEATURE 31021-11

TCRE	Models:	AAFE, AARE, A1VC, A3FE, A3RE, BBCV, C1FE, C3FE, C4RE, MBWB, SBCV, TCPE,
	With Features:	STANDARD

Key	PartNumber	Qty	Description	Comment
NI	0018391		FLOOR COVERING,RIB,BLUE,RBR,.187 X 13.50	
NI			AISLE COVERING, 3/16 IN. X 22 IN., RIBBED	<i>SPECIFY LENGTH IN YARDS</i>
NI	0978031		FLOOR COVERING,RIB,BLK,RUBBER,.1875 X	<i>STANDARD. FEATURE 31021-07</i>
NI	1992858		FLOOR COVERING,RIB,GRY,RBR,.187 X 22.00	<i>OPTION 906, FEATURE 31021-09</i>
NI	0977975		FLOOR COVERING,RIBBED,GRN,RBR,.187 X	<i>FEATURE 31021-06</i>
NI	1066992		FLOOR COVERING,RIBBED,TAN,RBR,.187 X	<i>FEATURE 31021-07</i>
NI	1685395		FLOOR COVERING,RIBBED,GRY,RBR,.187 X	<i>FEATURE 31021-08</i>
NI	0018392		FLOOR COVERING,RIB,BLUE,RBR,.187 X 22.00	<i>FEATURE 31021-11</i>
NI			AISLE COVERING, 3/16 IN. X 27.50 IN., RIBBED	<i>SPECIFY LENGTH IN YARDS</i>
NI	1525104		FLOOR COVERING,AISLE,RIB,BLK,	<i>STANDARD BLACK RUBBER</i>
NI	1992866		FLOOR COVERING,RIB,GRY,RBR,.187 X 27.50	<i>OPTION 906, FEATURE 31021-09</i>
NI	1525120		FLOOR COVERING,RIBBED,GRN,RBR,.187 X	<i>FEATURE 31021-06</i>
NI	1525112		FLOOR COVERING,RIBBED,TAN,RBR,.187 X	<i>FEATURE 31021-07</i>
NI	1525120		FLOOR COVERING,RIBBED,GRN,RBR,.187 X	<i>FEATURE 31021-08</i>
NI	0018393		FLOOR COVERING,RIB,BLUE,RBR,.187 X 27.50	<i>FEATURE 31021-11</i>
NI			AISLE COVERING,3/16 IN X 31 IN., RIBBED	<i>SPECIFY LENGTH IN YARDS</i>
NI	1673318		FLOOR COVERING,RIBBED,MEDIUM GRAY 31""	<i>OPTION 906, FEATURE 31021-09. MEDIUM GRAY RUBBER, SPECIFY LENGTH IN YARDS</i>
NI	0046109		FLOOR COVERING,RIBBED,TAN,	<i>FEATURE 31021-07, TAN RUBBER, SPECIFY LENGTH IN YARDS</i>
NI	0018394		FLOOR COVERING,RIBBED,BLUE,.1875 X 31.00	<i>FEATURE 31021-11, BLUE RUBBER, SPECIFY LENGTH IN YARDS</i>
NI			AISLE COVERING, 3/16 IN. X 36 IN., RIBBED	<i>SPECIFY LENGTH IN YARDS</i>
NI	2005486		FLOOR COVERING,AISLE,RIB,BLK,	<i>STANDARD. BLACK RUBBER, SPECIFY LENGTH IN YARDS</i>
NI	1832559		FLOOR COVERING,RIBBED,MED GRAY,36	<i>OPTION 906, FEATURE 31021-09, MEDIUM GRAY RUBBER , SPECIFY LENGTH IN YARDS</i>
NI	2005445		FLOOR COVERING,RIBBED,GRN,RBR,.187 X	<i>FEATURE 31021-06, GREEN RUBBER, SPECIFY LENGTH IN YARDS</i>
NI	1066984		FLOOR COVERING,RIBBED,TAN,RBR,.187 X	<i>FEATURE 31021-07, TAN RUBBER, SPECIFY LENGTH IN YARDS</i>
NI	1685387		FLOOR COVERING,RIBBED,GRY,RBR,.187 X	<i>FEATURE 31021-08, MEDIUM GRAY RUBBER, SPECIFY LENGTH IN YARDS</i>
NI	0018395		FLOOR COVERING,RIBBED,BLUE,.1875 X 36.00	<i>FEATURE 31021-11, BLUE RUBBER, SPECIFY LENGTH IN</i>

TCRE	Models:	AAFE, AARE, A1VC, A3FE, A3RE, BBCV, C1FE, C3FE, C4RE, MBWB, SBCV, TCFE,
	With Features:	STANDARD

Key	PartNumber	Qty	Description	Comment
				YARDS
NI			AISLE COVERING, 3/16 IN. X 27 1/2 IN.,	SPECIFY LENGTH IN YARDS
NI	0087001		FLOOR COVERING,RIBBED,TAN,RBR,.187 X	FEATURE 31021-27
NI			AISLE,COVERING.3/16 IN. X 27 1/2 IN., RIBBED	SPECIFY LENGTH IN YARDS
NI	1525104		FLOOR COVERING,AISLE,RIB,BLK,	OPTION 7360, BLACK, SPECIFY LENGTH IN YARDS
NI	1525112		FLOOR COVERING,RIBBED,TAN,RBR,.187 X	OPTION 7360, TAN, SPECIFY LENGTH IN YARDS
NI			MAT ENTRANCE, RIBBED, RUBBER	3/16X36; AAFE,CSRE,TCRE,TCFE; SPECIFY LENGTH IN YARDS
NI	2005486		FLOOR COVERING,AISLE,RIB,BLK,	STANDARD. BLACK, AAFE,CSRE, SCFE,TCRE,TCFE, SPECIFY LENGTH IN YARDS
NI	2005445		FLOOR COVERING,RIBBED,GRN,RBR,.187 X	OPTION 905, GREEN, AAFE,CSRE, CSFE,TCRE,TCFE
NI	1066984		FLOOR COVERING,RIBBED,TAN,RBR,.187 X	OPTION 907, TAN, AAFE,CSRE, CSFE,TCRE,TCFE,SPECIFY LENGTH IN YARDS
NI	1685387		FLOOR COVERING,RIBBED,GRY,RBR,.187 X	OPTION 910, GRAY, AAFE,CSRE, CSFE,CRE,TCFE, SPECIFY LENGTH IN YARDS
NI			VCTA	
NI	1273218		PATTERN,MAT,ENTRANCE,RIBBED, VCTA	STANDARD. BLACK, VCTA
NI	1273234		MAT,ENT,RIB RBR,TAN,14 1/4, VCTA	OPTION 909, TAN, VCTA
NI			MAT,ENTRANCE,RIBBED RUBBER; AARE,	AARE, 2 YARDS REQUIRED PER MAT
NI	1392810		MAT,ENT,RIB RBR,BLK,39-39 ST,36, AARE	STANDARD. BLACK,AARE, 2 YARDS REQUIRED PER MAT
NI	1392836		MAT,ENT,RIB RBR,TAN,36, AARE	OPTION 907, TAN, AARE, 2 YARDS REQUIRED PER MAT
NI			SBCV	
NI	0978031		FLOOR COVERING,RIB,BLK,RUBBER,.1875 X	STANDARD. BLACK, SBCV
NI	0977975		FLOOR COVERING,RIBBED,GRN,RBR,.187 X	OPTION 905, GREEN, SBCV
NI	1066992		FLOOR COVERING,RIBBED,TAN,RBR,.187 X	OPTION 907, TAN, SBCV
NI	1391259		NOSING,RUBBER,WEAR PLT,REAR,WHITE,36,	AAFE, SBCV
NI			RUBBER NOSING, WHITE	OPTION 1026, SBCV
NI	0801076		STEPTREAD,NOSING,WHT,WEAR PLT,RBR EDGE,	SBCV, OPTION 1026
NI	1338953		NOSING,RUBBER,WEAR PLT,WHT,TCFC	TCFE, OPTION 1026
NI	1377308		STEPTREAD,NOSING,WHT,WEAR PLATE,AARE	AARE,TCRE
NI	0867929		MARKER,13.50 AISLE,WHITE RUBBER,4 INCH	OPTION 1012, AA/TCFE, SBCV
NI	0854307		FLOOR COVERING,SMTH,BLK,RUBBER,.125 X	OPTION 1056, AAFE/RE,SBCV, TCFE/RE,MBWB

TCRE

Models: AAFE, AARE, A1VC, A3FE, A3RE, BBCV, C1FE, C3FE, C4RE, MBWB, SBCV, TCFE,

With Features: STANDARD

Key	PartNumber	Qty	Description	Comment
NI			COVER, WHEELHOUSE, MOLDED RUBBER	<i>OPTION 1056, AAFE/RE,SBCV, TCFE/RE,MBWB</i>
NI	0297655		COVER,WHEELHOUSE,MOLDED RUBBER,RR,CV	<i>RR, OPTION 1062, AAFE/RE, MBWB,SBCV,TCFE/RE</i>
NI	0412072		COVER,WHEELHOUSE,MOLDED RUBBER,FRT,FC	<i>OPTION 1063, AAFE/RE,TCFE/RE</i>
NI			FLOOR COVERING RUBBER, DRIVER'S	<i>C4RE ONLY</i>
NI	0046970		COVERING,FLR,SMOOTH,GREY,DRVRS PLTFRM,	<i>GREY, C4RE ONLY</i>
NI	0046971		COVERING,FLR,SMOOTH,BLUE,DRVRS PLTFRM,	<i>BLUE, C4RE</i>
NI	0046972		COVERING,FLR,SMOOTH,TAN,DRVRS PLTFRM,	<i>TAN, C4RE</i>

Models:
TCRE, VCTA

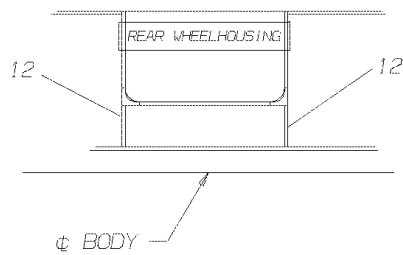
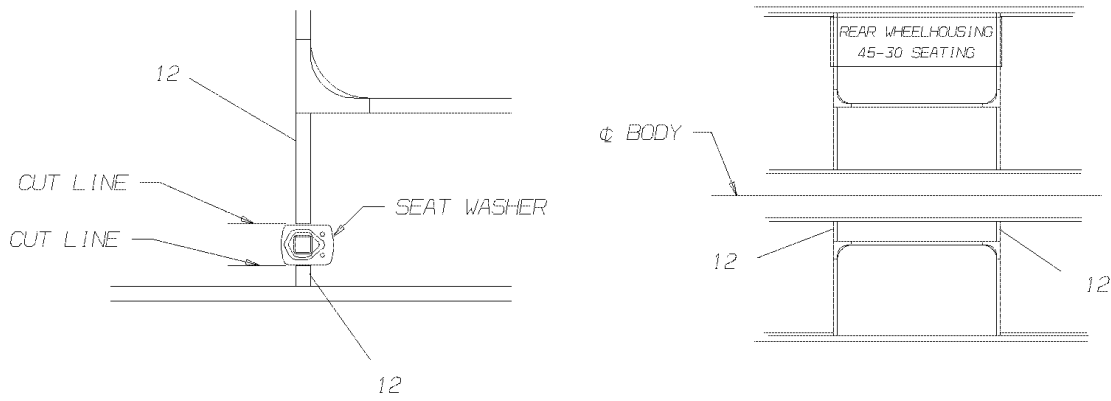
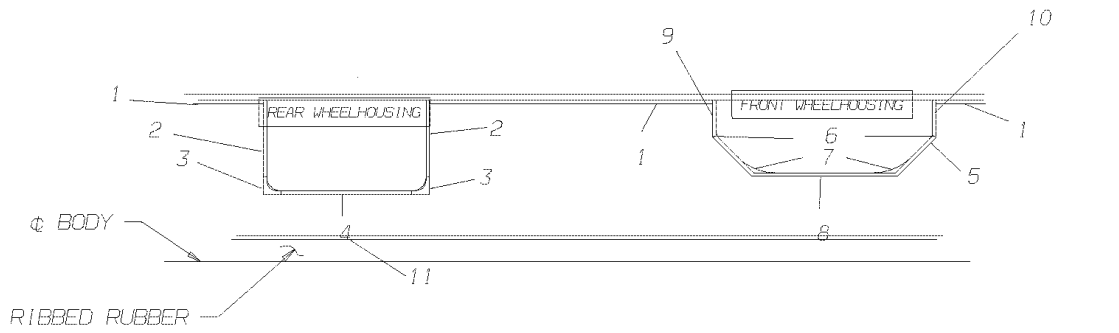
AAFE, AARE, A1VC, A3FE, A3RE, BBCV, C1FE, C3FE, C4RE, MBWB, SBCV, TCFE,

TRIM & COVE MOLDINGS

Key	PartNumber	Qty	Description	Comment
NI	1451996		TRIM,W/H FLOOR	
NI	0754606		MOLDING,COVE,WALL TO FLOOR	AAFE, MBWB, SBCV, TCFE
NI	0754614		MOLDING,COVE,REAR CORNER	
NI	1528900		MOLDING,COVE,REAR WHEELHOUSING,FRONT	TCRE
NI			TRIM, R.E.D. SILL	AAFE, VCTA, SBCV, MBWB
NI	1197060		TRIM,FLOOR COVER,REAR EM DOOR	STANDARD
NI	1168350		TRIM,FLOOR COVER,REAR EM DOOR,W/PLY	OPTION 982
NI	1531052		TRIM,NO 1 FLOOR,FORWARD,W/OPT 1026,	
NI			FLOORBOARD MAT, RH	AAFE
NI	1392752		MAT,FLOOR,RH FRONT CORNER,BLACK RUBBER	STANDARD. BLACK
NI	1392778		MAT,FLOOR,RH FRONT CORNER,TAN RUBBER,	OPTION 907, TAN
NI	1538677		MAT,FLOOR,STEP TO HOOD,BLACK,SMOOTH,	
NI	1538677		MAT,FLOOR,STEP TO HOOD,BLACK,SMOOTH,	
NI	0235424		TRIM,AISLE,EXTRUDED,12FT SECT,ALUMINUM	SPECIFY LENGTH IN FEET, SOLD IN 12 FEET SECTIONS.
NI	1528900		MOLDING,COVE,REAR WHEELHOUSING,FRONT	21 IN.. AARE
NI	1932359		MOLDING,FLOOR,REAR CORNER	
NI	1662394		TRIM,NO 1 FLR W/PLY TO DRIVER PLATFORM	CSRE, TCRE
NI	1662402		TRIM,NO 2 FLR TO DRIVERS PANEL	CSRE, TCRE
NI	1662790		TRIM,NO.2 FLOOR TO DRIVERS PLATFORM,TCFC	CSFE, TCFE
NI	0802330		TRIM,DRIVERS FLOOR	AARE, SBCV, MBWB
NI	1058007		TRIM,DRIVERS TOEBOARD FLOOR,REAR, AARE	AARE
NI	1929462		TRIM,COVE,WALL TO FLOOR	

Models: A3FE, A3RE, BBCV
WHEELHOUSING TRIM
With Features: OPTION 1014-00 1014-01 31024-02 31024-04

Key	PartNumber	Qty	Description	Comment
-----	------------	-----	-------------	---------



Models: A3FE, A3RE, BBCV
WHEELHOUSING TRIM
With Features: OPTION 1014-00 1014-01 31024-02 31024-04

Key	PartNumber	Qty	Description	Comment
1	0754606		MOLDING,COVE,WALL TO FLOOR	
1	0086896		MOLDING,COVE,WALL TO FLOOR,S/S	
2	1528900		MOLDING,COVE,REAR WHEELHOUSING,FRONT	
2	0086902		MOLDING,COVE,REAR W/H,FRONT & REAR,S/S	
3	0215244		TRIM,W/H,CORNER	
3	0086097		ARM,EXHAUST,PACBRAKE"	
4	0083442		TRIM,W/H,REAR W/H,SIDE	
4	0086898		TRIM,W/H,REAR W/H,SIDE,S/S	
5	0412007		TRIM,FRONT WHEELHOUSING,CORNER	
5	0086900		TRIM,FRONT,WHEELHOUSING,CORNER,S/S	
6	0411991		TRIM,FRONT WHEELHOUSING,FRONT & REAR	
6	0087130		TRIM,W/H,FRONT,FRONT & REAR CORNER,S/S	
7	0411983		TRIM,FRONT WHEELHOUSING,CENTER,CORNER	
7	0087129		TRIM,W/H,FRONT,CENTER,CORNER RADIUS,S/S	
8	0412015		TRIM,FRONT WHEELHOUSING,CENTER	
8	0086901		TRIM,FRONT,WHEELHOUSING,CENTER,S/S	
9	0412023		TRIM,FRONT WHEELHOUSING,RH FRONT & LH	
9	0086899		TRIM,FRONT,W/H,RH FRONT & LH REAR,S/S	
9	0413088		TRIM,FRONT WHEELHOUSING,LH FRONT & RH	
9	0086904		TRIM,FRONT,WHEELHOUSING,LH FRONT & RH	
10	0413088		TRIM,FRONT WHEELHOUSING,LH FRONT & RH	
10	0086904		TRIM,FRONT,WHEELHOUSING,LH FRONT & RH	
10	0412023		TRIM,FRONT WHEELHOUSING,RH FRONT & LH	
10	0086899		TRIM,FRONT,W/H,RH FRONT & LH REAR,S/S	
11	0235424		TRIM,AISLE,EXTRUDED,12FT SECT,ALUMINUM	ALUMINUM, OPTION 31024-02
11	0527325		SCREW,10-16 X 1,AB,PH1,OVAL CNSK HD, YEL	
11	0083153		TRIM,AISLE,STAINLESS STEEL,96	96. OPTION 31024-04
11	1529536		SCREW,6-20 X 3/4,AB,PH1,OVAL CNSK HD,SST	
12	0235424		TRIM,AISLE,EXTRUDED,12FT SECT,ALUMINUM	ALUMINUM, OPTION 31024-02
12	0083153		TRIM,AISLE,STAINLESS STEEL,96	96. OPTION 31024-04