

Body**340 Stepwells & Handrails**

HANDRAILS

ENTRANCE DOOR BARRIER

With: FEATURE 31049-01

1

FORWARD HANDRAIL

With: OPTION 0288, FEATURE 20293

2

WEAR PLATES

With: OPTION 1012, 1026

3

STEPWELL

JACKKNIFE & SEDAN DOOR

With: FEATURE 30977-03, -04

4

OUTWARD OPENING DOOR

With: FEATURE 30977-02

5*With: FEATURE 03118-05*

6

STEPTREADS, PEBBLETOP

With: FEATURE 31160-04

7

Models: BBCV
HANDRAILS
ENTRANCE DOOR BARRIER
With Features: FEATURE 31049-01

Key	PartNumber	Qty	Description	Comment
NI	1968684		HANDRAIL ASSY,ENT DOOR,SQUARE	FEATURE 31049-01, RIGHT HAND HANDRAIL
	1945948		HANDRAIL,ENT DOOR SQUARE STEPWELL	FEATURE 31049-01, RIGHT HAND HANDRAIL
	2058147		TUBE,SS,RD,1.000 OD X .050 X 60.06,SS 304	FEATURE 31049-01, RIGHT HAND HANDRAIL
	0414268		FLANGE, HANDRAIL	FEATURE 31049-01, RIGHT HAND HANDRAIL
	1140318		FLANGE,HANDRAIL,RH,JK ENTRANCE DOOR	FEATURE 31049-01, RIGHT HAND HANDRAIL
	2000644	6	SCREW,1/4-14X 3/4,AB,PH1,TRUSS HD,	FEATURE 31049-01, RIGHT HAND HANDRAIL
NI	1975671		HANDRAIL ASSY,ENT DOOR,SQUARE STEPWELL,	FEATURE 31049-01, LEFT HAND HANDRAIL
	1945948		HANDRAIL,ENT DOOR SQUARE STEPWELL	FEATURE 31049-01, LEFT HAND HANDRAIL
	2058147		TUBE,SS,RD,1.000 OD X .050 X 60.06,SS 304	FEATURE 31049-01, LEFT HAND HANDRAIL
	0414268		FLANGE, HANDRAIL	FEATURE 31049-01, LEFT HAND HANDRAIL
	1140318		FLANGE,HANDRAIL,RH,JK ENTRANCE DOOR	FEATURE 31049-01, LEFT HAND HANDRAIL
	2000644		SCREW,1/4-14X 3/4,AB,PH1,TRUSS HD,	FEATURE 31049-01, LEFT HAND HANDRAIL
NI	1996560		HANDRAIL ASSY,ENT DOOR,SQUARE	FEATURE 31049-01, RIGHT HAND HANDRAIL 30 IN. BARRIER
	1945948		HANDRAIL,ENT DOOR SQUARE STEPWELL	FEATURE 31049-01, RIGHT HAND HANDRAIL 30 IN. BARRIER
	2058147		TUBE,SS,RD,1.000 OD X .050 X 60.06,SS 304	FEATURE 31049-01, RIGHT HAND HANDRAIL 30 IN. BARRIER
	0414268		FLANGE, HANDRAIL	FEATURE 31049-01, RIGHT HAND HANDRAIL 30 IN. BARRIER
	1140318		FLANGE,HANDRAIL,RH,JK ENTRANCE DOOR	FEATURE 31049-01, RIGHT HAND HANDRAIL 30 IN. BARRIER
	2000644		SCREW,1/4-14X 3/4,AB,PH1,TRUSS HD,	FEATURE 31049-01, RIGHT HAND HANDRAIL 30 IN. BARRIER
NI	1996578		HANDRAIL ASSY,ENT DOOR,SQUARE	FEATURE 31049-01, LEFT HAND HANDRAIL 30 IN. BARRIER
	1945948		HANDRAIL,ENT DOOR SQUARE STEPWELL	FEATURE 31049-01, LEFT HAND HANDRAIL 30 IN. BARRIER
	2058147		TUBE,SS,RD,1.000 OD X .050 X 60.06,SS 304	FEATURE 31049-01, LEFT HAND HANDRAIL 30 IN. BARRIER
	0414268		FLANGE, HANDRAIL	FEATURE 31049-01, LEFT HAND HANDRAIL 30 IN. BARRIER
	1140318		FLANGE,HANDRAIL,RH,JK ENTRANCE DOOR	FEATURE 31049-01, LEFT HAND HANDRAIL 30 IN. BARRIER
	2000644		SCREW,1/4-14X 3/4,AB,PH1,TRUSS HD,	FEATURE 31049-01, LEFT HAND HANDRAIL 30 IN. BARRIER

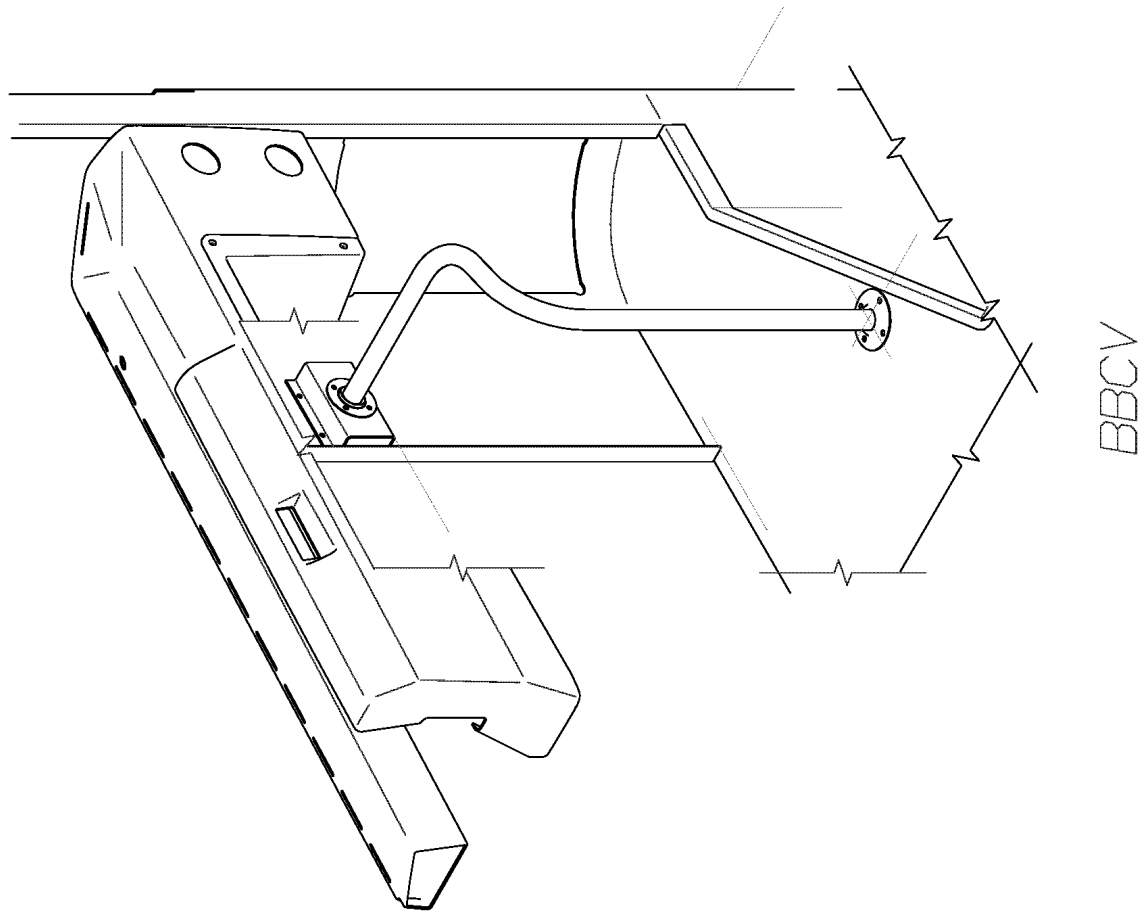
Models: **BBCV
HANDRAILS
FORWARD HANDRAIL**
With Features: **OPTION 0288, FEATURE 20293**

Key	PartNumber	Qty	Description	Comment
-----	------------	-----	-------------	---------



BLUE BIRD

DR. 05/19/05 BY MR	E	REV
APP. BY	00545774	
	FRT	
© BLUE BIRD BODY COMPANY. ALL RIGHTS RESERVED		



Models: BBCV
HANDRAILS
FORWARD HANDRAIL
With Features: OPTION 0288, FEATURE 20293

Key	PartNumber	Qty	Description	Comment
1	0065611		HANDRAIL ASSY,ENTRANCE DOOR,FORWARD,	<i>OPTION 0288</i>
1	0065613		HANDRAIL ASSY,ENT DR,FWD,1.25 DIA,ADA,	<i>FEATURE 20293 ADA</i>

Models: BBCV, GMCV, SBCV, VCTA
HANDRAILS
WEAR PLATES
With Features: OPTION 1012, 1026

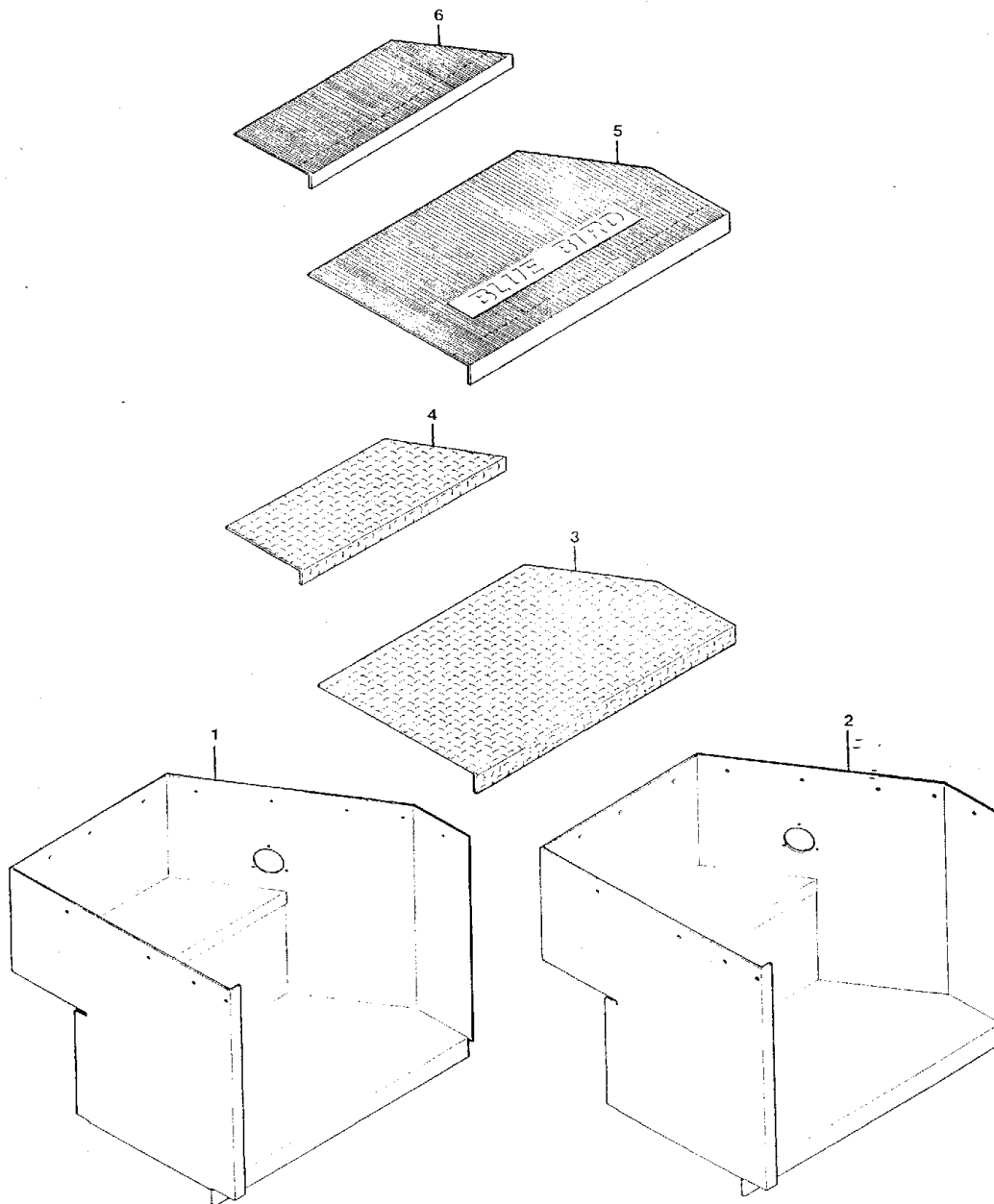
Key	PartNumber	Qty	Description	Comment
	0867929		MARKER,13.50 AISLE,WHITE RUBBER,4 INCH	OPTION 1012- SBCV
	0307355		TRIM,STEPWELL,ENT MAT,RH	OPTION 1026- SBCV, STANDARD
	0307348		TRIM,STEPWELL,ENT MAT,RH,PLY	OPTION 1026- SBCV, OPTION 0982
	1130558		TRIM,STEPWELL,ENT MAT,W/WHT NOSING,	STANDARD
	1130673		TRIM,STEPWELL,ENT MAT,W/WHT NOSING,	OPTION 0982
	0801076		STEPTREAD,NOSING,WHT,WEAR PLT,RBR EDGE,	
	1145010		STEPTREAD,NOSING,WHT,WR PLT,JK DOOR,	
	1273267		TRIM,STEPWELL,W/WHT NOSING,FRT, VCTA	
	1273275		TRIM,STEPWELL,W/WHT NOSING,REAR, VCTA	

Models: **BBCV
STEPWELL
JACKKNIFE & SEDAN DOOR**
With Features: **FEATURE 30977-03, -04**

Key	PartNumber	Qty	Description	Comment
-----	------------	-----	-------------	---------

OR. 7/2/84 BY JET	8003063
APP.	BY

© 1984 BLUE BIRD BODY COMPANY
ALL RIGHTS RESERVED



Models: BBCV
STEPWELL
JACKKNIFE & SEDAN DOOR
With Features: FEATURE 30977-03, -04

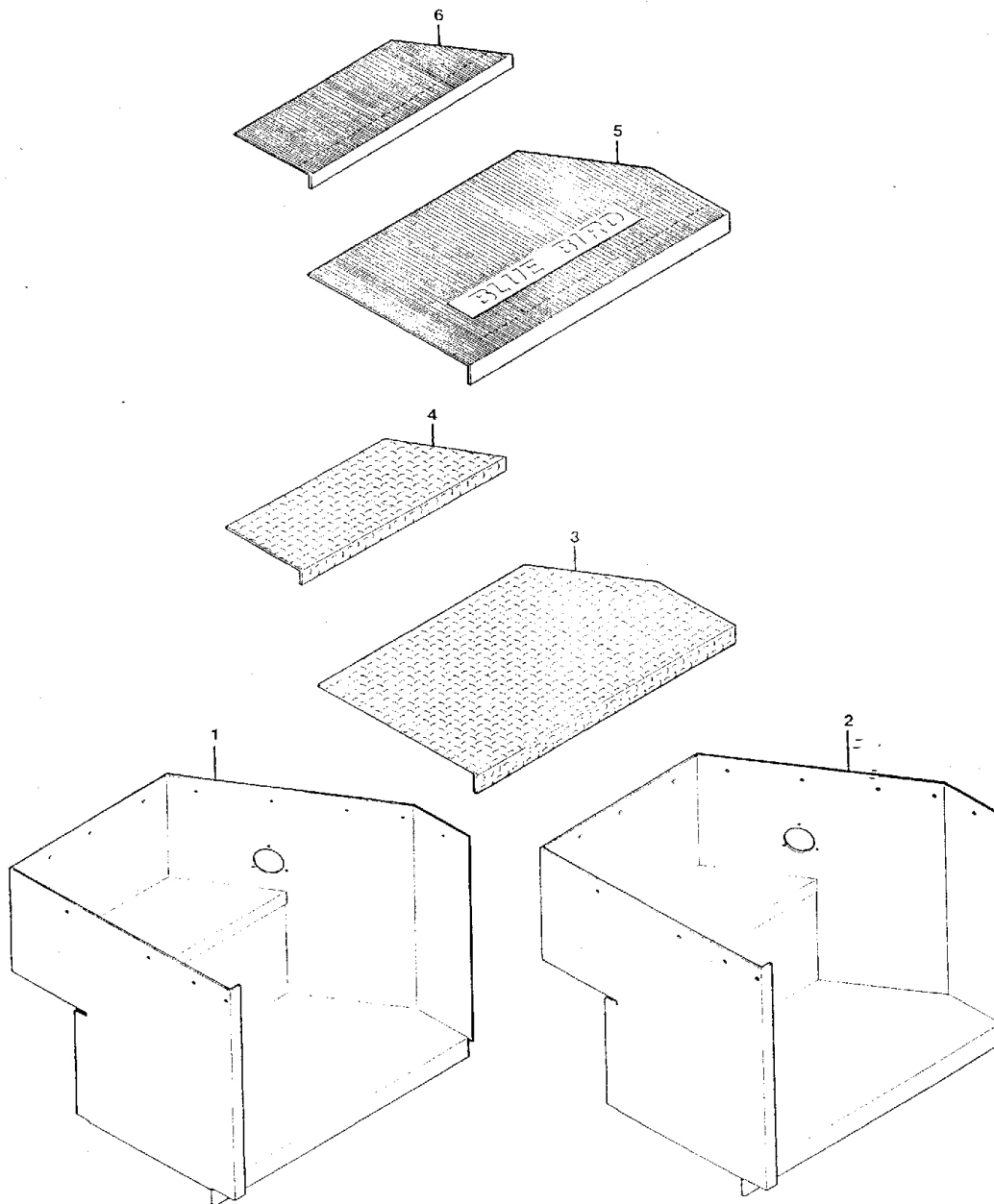
Key	PartNumber	Qty	Description	Comment
1	1544600		STEPWELL ASSY,JK,24.75,2 STEP,CV	STANDARD. 2 STEP
1	1548833		STEPWELL ASSY,JK,24.75,3 STEP,CV	OPTION 0246, 0248. 3 STEP
2	1548973		STEPWELL ASSY,JK,27.50,CV	STANDARD & OPTION 0246, 0248. 3 STEP
3				NOT APPLICABLE
4				NOT APPLICABLE
5	1307883		STEPTREAD,L/STEP,J/K DOOR,BLACK,RBR,CV	STANDARD 2 STEP STEPWELL
5	1307891		STEPTREAD,L/STEP,J/K DOOR,GREEN,RBR, CV	STANDARD 2 STEP STEPWELL
5	1307909		STEPTREAD,L/STEP,J/K DOOR,TAN,RBR,CV	STANDARD 2 STEP STEPWELL
5	1371236		STEPTREAD,L/STEP,J/K DOOR,BLACK,RBR,3	OPTION 0246, 0248. 3 STEP STEPWELL
5	1371491		STEPTREAD,L/STEP,J/K DOOR,TAN,RBR,3 STEP	OPTION 0246, 0248. 3 STEP STEPWELL
5	1371244		STEPTREAD,L/STEP,J/K DOOR,GREEN RBR,3	OPTION 0246, 0248. 3 STEP STEPWELL
5	1685791		STEPTREAD,L/STEP,J/K DOOR,GRAY,RBR,3 STEP	OPTION 0246, 0248. 3 STEP STEPWELL
NI	1093921		STEPTREAD,M/STEP,J/K DOOR,BLACK,RBR,3	OPTION 0246, 0248. 3 STEP STEPWELL
NI	1093947		STEPTREAD,M/STEP,J/K DOOR,TAN,RBR,3 STEP	OPTION 0246, 0248. 3 STEP STEPWELL
NI	1093939		STEPTREAD,M/STEP,J/K DOOR,GREEN,RBR,3	OPTION 0246, 0248. 3 STEP STEPWELL
NI	1685783		STEPTREAD,M/STEP,J/K DOOR,GRAY,RBR,3	OPTION 0246, 0248. 3 STEP STEPWELL
6	1307842		STEPTREAD,U/STEP,J/K DOOR,BLACK,RBR,CV	STANDARD 2 STEP STEPWELL
6	1307859		STEPTREAD,U/STEP,J/K DOOR,GREEN,RBR, CV	STANDARD 2 STEP STEPWELL
6	1307867		STEPTREAD,U/STEP,J/K DOOR,TAN,RBR,CV	STANDARD 2 STEP STEPWELL
6	1093962		STEPTREAD,U/STEP,J/K DOOR,BLACK,RBR,3	OPTION 0246, 0248. 3 STEP STEPWELL
6	1093988		STEPTREAD,U/STEP,J/K DOOR,TAN,RBR,3 STEP	OPTION 0246, 0248. 3 STEP STEPWELL
6	1093970		STEPTREAD,U/STEP,J/K DOOR,GREEN,RBR 3	OPTION 0246, 0248. 3 STEP STEPWELL
6	1685502		STEPTREAD,U/STEP,J/K DOOR,GRAY,RBR,3	OPTION 0246, 0248. 3 STEP STEPWELL
NI	0302703		TRIM,STEPWELL,STANDARD FLOOR	
NI	0302711		TRIM,STEPWELL,PLYWOOD FLOOR	OPTION 0982

Models: **BBCV
STEPWELL
OUTWARD OPENING DOOR**
With Features: **FEATURE 30977-02**

Key	PartNumber	Qty	Description	Comment
-----	------------	-----	-------------	---------

OR: 7/2/84 BY JET	8003063
APP: BY	

© 1984 BLUE BIRD BODY COMPANY
ALL RIGHTS RESERVED

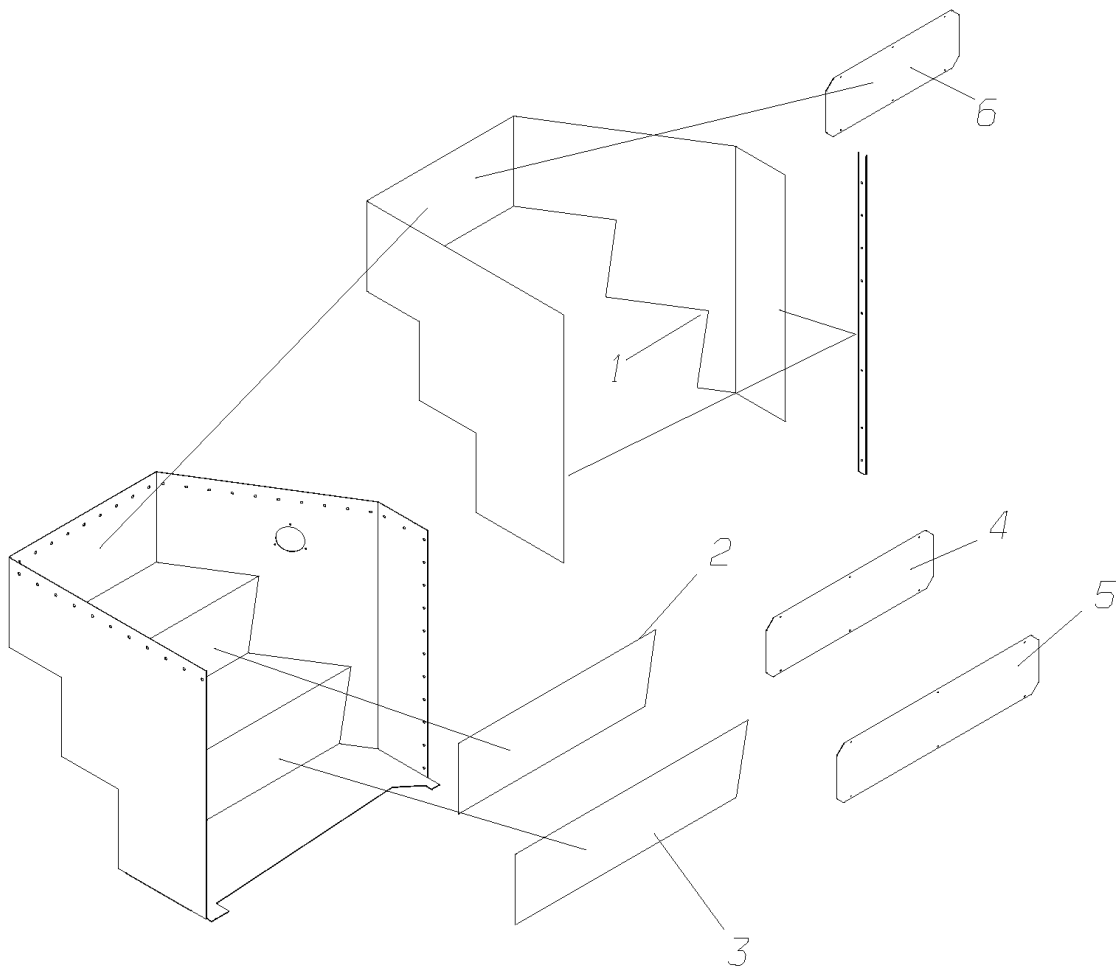


Models: **BBCV
STEPWELL
OUTWARD OPENING DOOR**
With Features: **FEATURE 30977-02**

Key	PartNumber	Qty	Description	Comment
1	1777028		STEPWELL ASSY,O/O,24.75	
1	1777267		STEPWELL ASSY,O/O,27.50	
2	1268630		STEPTREAD,U/STEP,O/O DOOR,BLACK,RBR,3	
2	1558600		STEPTREAD,U/STEP,O/O DOOR,GREEN,RBR,3	
2	1685809		STEPTREAD,U/STEP,O/O DOOR,GRAY,RBR,3	
3	1268622		STEPTREAD,M/STEP,O/O DOOR,BLACK,RBR,3	
3	1558584		STEPTREAD,M/STEP,O/O DOOR,GREEN,RBR,3	
3	1558592		STEPTREAD,M/STEP,O/O DOOR,TAN,RBR,3 STEP	
3	1685817		STEPTREAD,M/STEP,O/O DOOR,GRAY,RBR,3	
4	1779370		STEPTREAD,L/STEP,O/O DOOR,BLACK,RBR,3	
4	1779388		STEPTREAD,L/STEP,O/O DOOR,GREEN,RBR,3	
4	1779396		STEPTREAD,L/STEP,O/O DOOR,TAN,RBR,3 STEP	
4	1779404		STEPTREAD,L/STEP,O/O DOOR,GRAY,RBR,3	
5	0302703		TRIM,STEPWELL,STANDARD FLOOR	<i>STANDARD</i>
5	0302711		TRIM,STEPWELL,PLYWOOD FLOOR	<i>OPTIONAL PLYWOOD FLOORS</i>

Models: **BBCV
STEPWELL
OUTWARD OPENING DOOR**
With Features: **FEATURE 03118-05**

Key	PartNumber	Qty	Description	Comment
-----	------------	-----	-------------	---------



Models: BBCV
STEPWELL
OUTWARD OPENING DOOR
With Features: FEATURE 03118-05

Key	PartNumber	Qty	Description	Comment
1	0080996		INSULATION,STEPWELL,BAND,3-STEP,27.50	
2	0081000		INSULATION,STEPWELL,27.50,MID RISER	
3	0081001		INSULATION,STEPWELL,27.50,LOWER RISER	
4	0081002		PANEL,STEPWELL,27.50,MIDDLE	
5	0081003		PANEL,STEPWELL,27.50,LOWER	
6	0081047		PANEL,STEPWELL,27.50,UPPER	
7	0864579	30	SCREW,10-16 X 3/4,AB,PH1,PAN HD,SST	
8	1451996		TRIM,W/H FLOOR	

Models: A3FE, A3RE, BBCV, SBCV
STEPWELL
With Features: STEPTREADS, PEBBLETOP
FEATURE 31160-04

Key	PartNumber	Qty	Description	Comment
	0052938		STEPTREAD,UPR,BLK,K/SEAL,O/O,M/B,W/NOS,	FEATURE 31160-04
	0052918		STEPTREAD,UPR,BLK,K/SEAL,O/O,M/B,W/NOS,	FEATURE 31160-04
	0052921		STEPTREAD,UPR,BLK,K/SEAL,O/O,M/B,W/NOS,	FEATURE 31160-04
	0052937		STEPTREAD,MID,BLK,K/SEAL,O/O,M/B,W/NOS,	FEATURE 31160-04
	0052916		STEPTREAD,MID,BLK,K/SEAL,O/O,M/B,W/NOS,	FEATURE 31160-04
	0052920		STEPTREAD,MID,BLK,K/SEAL,O/O,M/B,W/NOS,	FEATURE 31160-04
	0052936		STEPTREAD,LWR,BLK,K/SEAL,O/O,M/B,W/NOS,	FEATURE 31160-04
	0052827		STEPTREAD,LWR,BLK,K/SEAL,O/O,M/B,W/NOS,	FEATURE 31160-04
	0052919		STEPTREAD,LWR,BLK,K/SEAL,O/O,M/B,W/NOS,	FEATURE 31160-04