

**Body**

**460 Accessories**

BACKING HORN, SPEAKER HORN, AND HYDRAULIC BRAKE BOOSTER MONITOR MODULE

*To BSN F100349, L171509 (10/08/06)* \_\_\_\_\_ 1

*From BSN F100350, L171510 (10/09/06)* \_\_\_\_\_ 2

BLOWER, SQUIRREL CAGE

*With: FEATURE 30026-08* \_\_\_\_\_ 3

CHIME

*With: OPTION 3040* \_\_\_\_\_ 4

GROMMET CHART

\_\_\_\_\_ 5

HORN ASSY, HIGH & LOW NOTE

\_\_\_\_\_ 6

HORN INSTALLATION, SLEEPING CHILD CHECK

*With: FEATURE 30195-11* \_\_\_\_\_ 7

MUDFLAPS & SPLASH SHIELD

FRONT

*With: FEATURE 0575  
To BSN F100349, L171509 (10/08/06)* \_\_\_\_\_ 8

*With: FEATURE 00575 WITH OR WITHOUT FEATURE 30513-01  
From BSN F100350, L171510 (10/09/06)* \_\_\_\_\_ 9

SNOW CHAINS, ON SPOT

INSTALLATION

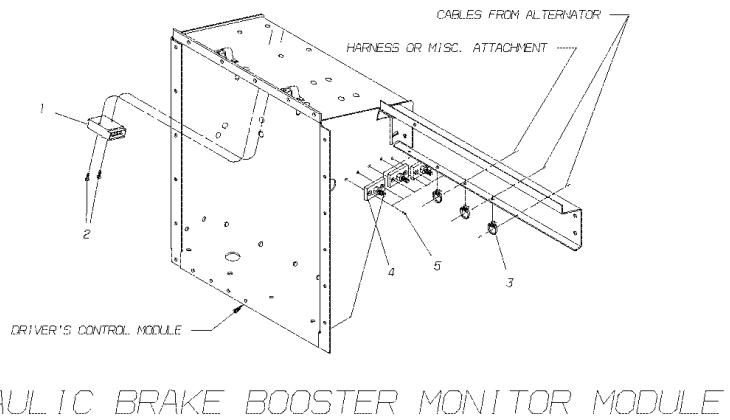
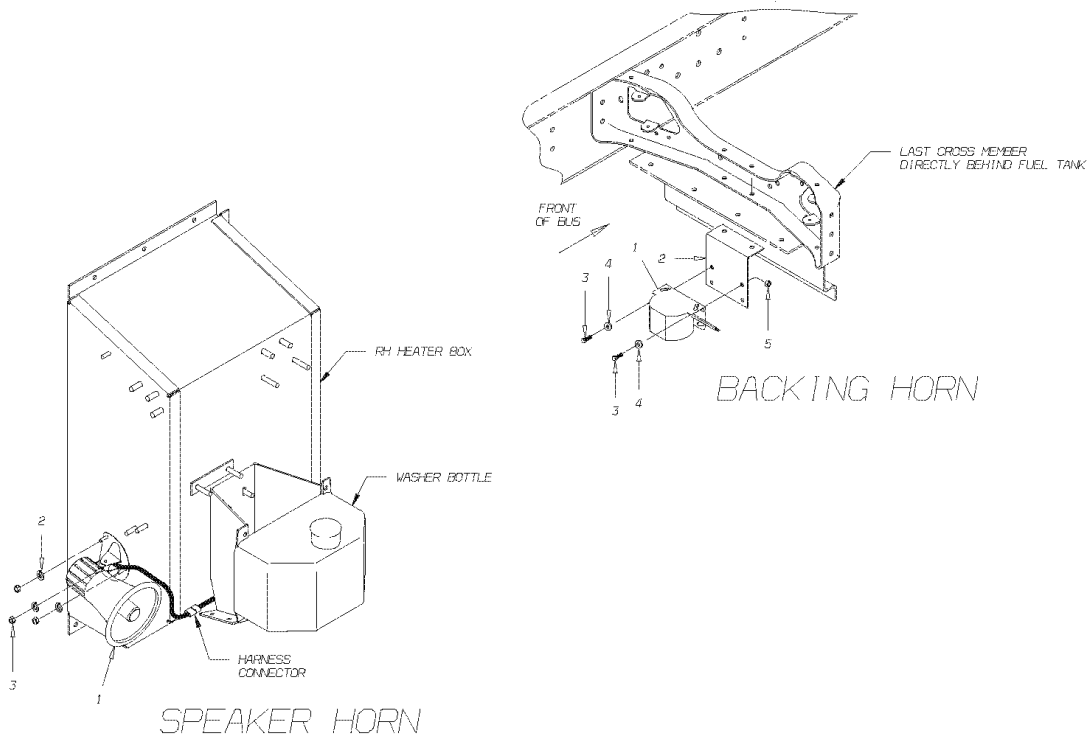
*With: FEATURE 40390-05* \_\_\_\_\_ 10

WIG-WAG, AIR, PRESSURE INDICATOR

*With: OPTION 1462* \_\_\_\_\_ 11

**Models:** **BBCV**  
**MODULE** **BACKING HORN, SPEAKER HORN, AND HYDRAULIC BRAKE BOOSTER MONITOR**  
**To BSN F100349, L171509 (10/08/06)**

Key	PartNumber	Qty	Description	Comment
-----	------------	-----	-------------	---------



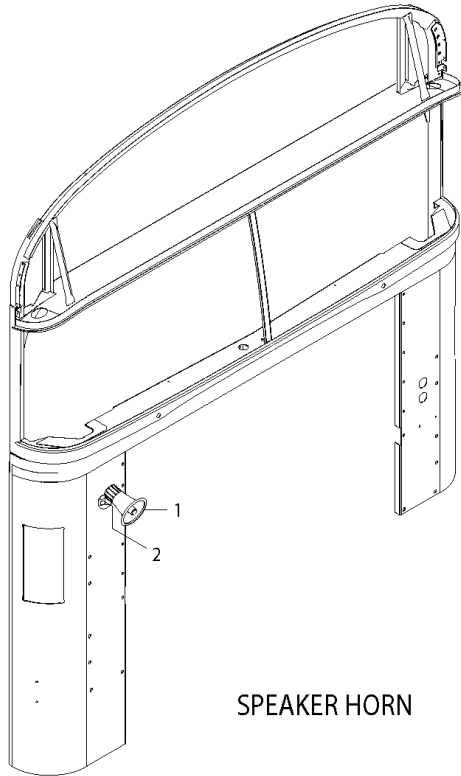
**Models:** **BBCV**  
**BACKING HORN, SPEAKER HORN, AND HYDRAULIC BRAKE BOOSTER MONITOR**  
**To BSN F100349, L171509 (10/08/06)**

Key	PartNumber	Qty	Description	Comment
			BACKING HORN	<i>FEATURE 30269-12</i>
1	0003311		HORN,BACKING ALARM,107 DB	<i>FEATURE 30310-01. 107 DB</i>
1	0003312		HORN,BACKING ALARM,112 DB	<i>FEATURE 30310-02. 112 DB</i>
1	0052521		HORN,BACK ALARM,VARIABLE VOL,87-112 DBA	<i>FEATURE 30310-03. VAIRABLE VOLUME, 87-112 DBA</i>
2	1341866		BRACKET,MTG,RELAY VALVE/BACKING HORN,	<i>FEATURE 30310-01</i>
2	0052545		BRACKET,MNTG,BACK UP ALARM	<i>FEATURE 30310-02, -03</i>
3	2000057		CAPSCREW,HEX HD,1/4-20 X 1,GR 5,YEL ZN	
4	2001121		WASHER,FLAT,5/16 X 3/4,X 5/64,YEL ZN DICH	
5	1465947		NUT,HEX HD,1/4-20,LK,NYLON INSERT,YEL	
NI	1510775		LOOM,CORRUGATED,BLACK NYLON,1/4 ID,SS	
NI	0072272		CLIP,WIRING	
			SPEAKER HORN	<i>FEATURE 30269-12</i>
1	0066929		SPEAKER,HORN,EXT,RIGID,15 WATT,	
2	2001162		LOCKWASHER,SPLIT RING, 3/16,MED,YEL ZN	
3	2001279		NUT,HEX HD,10-24,YEL ZN DICH"	
			HYDRAULIC BRAKE BOOSTER MONITOR	
1	1543800		MODULE,HYDRAULIC BRAKE BOOSTER	
2	1985894		SCREW,MACH,10-32X1 1/4,PH1,PAN HD,BLK ZN	
3	1653948		TIE,CABLE,NYLON PUSH MOUNT	
4	0553131		STUD,TERMINAL,BAT CABLE JUNCTION,NO	
5	1409788		SCREW,1/4-20 X 3/4,D,HEX HD,YEL ZN DICH	

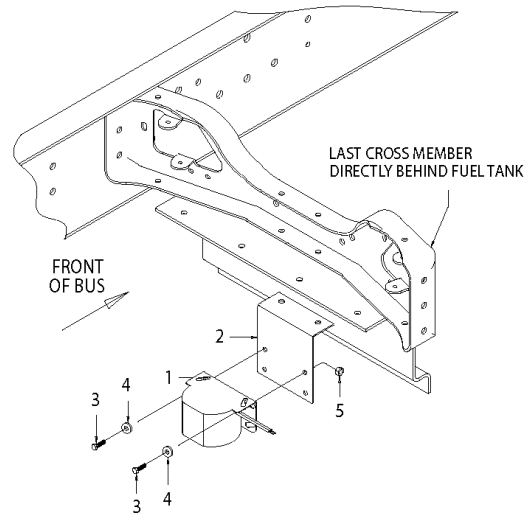
**Models:** BBCV  
**BACKING HORN, SPEAKER HORN, AND HYDRAULIC BRAKE BOOSTER MONITOR**  
**BSN:** From BSN F100350, L171510 (10/09/06)

MODULE

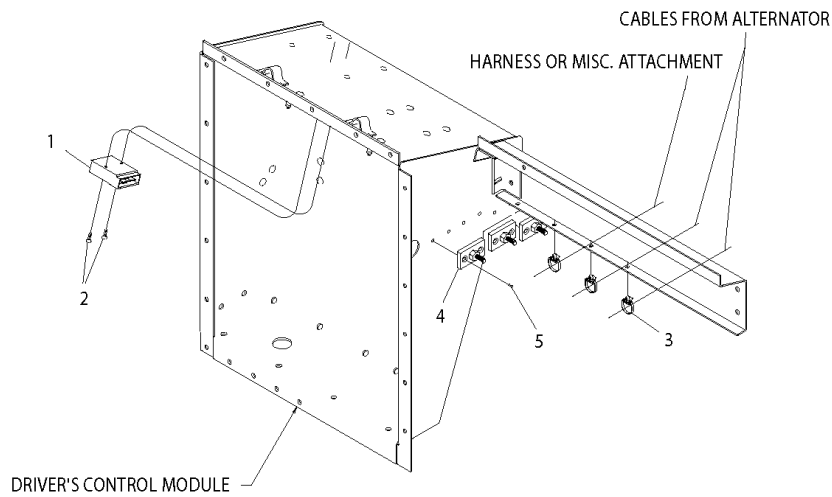
Key	PartNumber	Qty	Description	Comment
-----	------------	-----	-------------	---------



SPEAKER HORN



BACKING HORN



HYDRAULIC BRAKE BOOSTER MONITOR MODULE

**Models:** **BBCV**  
**BACKING HORN, SPEAKER HORN, AND HYDRAULIC BRAKE BOOSTER MONITOR**

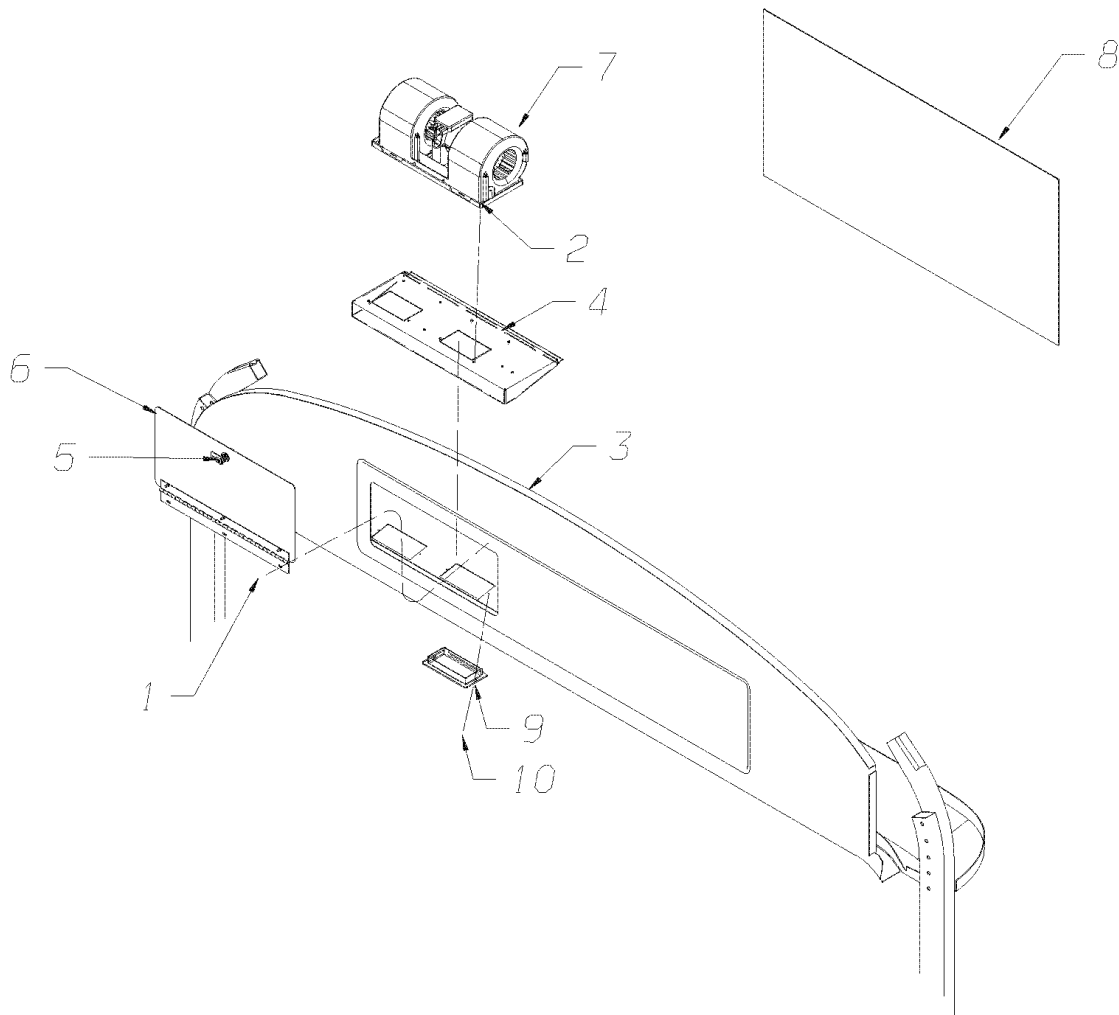
**MODULE**

**BSN:** **From BSN F100350, L171510 (10/09/06)**

Key	PartNumber	Qty	Description	Comment
			BACKING HORN	<i>FEATURE 30269-12</i>
1	0003311		HORN,BACKING ALARM,107 DB	<i>FEATURE 30310-01</i>
1	0003312		HORN,BACKING ALARM,112 DB	<i>FEATURE 30310-02</i>
1	0052521		HORN,BACK ALARM,VARIABLE VOL,87-112 DBA	<i>FEATURE 30310-03</i>
2	1341866		BRACKET,MTG,RELAY VALVE/BACKING HORN,	<i>FEATURE 30310-01</i>
2	0052545		BRACKET,MNTG,BACK UP ALARM	<i>FEATURE 30310-02,-03</i>
3	2000057		CAPSCREW,HEX HD,1/4-20 X 1,GR 5,YEL ZN	
4	2001121		WASHER,FLAT,5/16 X 3/4,X 5/64,YEL ZN DICH	
5	1465947		NUT,HEX HD,1/4-20,LK,NYLON INSERT,YEL	
NI	1510775		LOOM,CORRUGATED,BLACK NYLON,1/4 ID,SS	
NI	0072272		CLIP,WIRING	
			SPEAKER HORN	
1	0066929		SPEAKER,HORN,EXT,RIGID,15 WATT,	<i>FEATURE 30269-12</i>
2	1589522		SCREW,10-16 X 3/4,AB,PH1,PAN HD,YEL ZN	
			MODULE,HYDRAULIC BRAKE BOOSTER	
1	1543800		MODULE,HYDRAULIC BRAKE BOOSTER	
2	1985894		SCREW,MACH,10-32X1 1/4,PH1,PAN HD,BLK ZN	
3	1653948		TIE,CABLE,NYLON PUSH MOUNT	
4	0553131		STUD,TERMINAL,BAT CABLE JUNCTION,NO	
5	1409788		SCREW,1/4-20 X 3/4,D,HEX HD,YEL ZN DICH	

**Models:** A3FE, A3RE, BBCV  
**With Features:** BLOWER, SQUIRREL CAGE  
FEATURE 30026-08

Key	PartNumber	Qty	Description	Comment
-----	------------	-----	-------------	---------

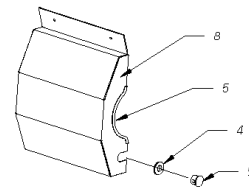
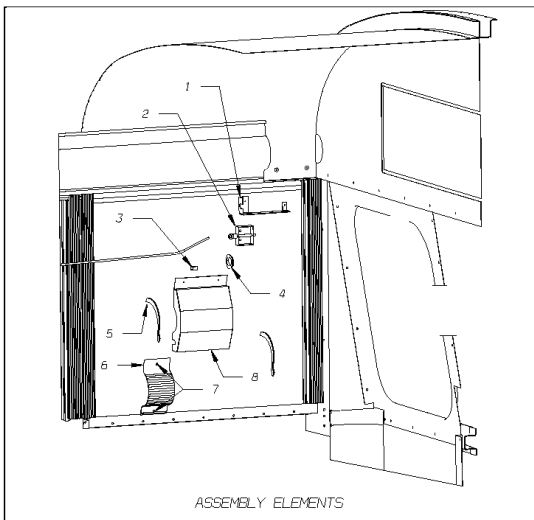


**Models:** A3FE, A3RE, BBCV  
**With Features:** BLOWER, SQUIRREL CAGE  
 FEATURE 30026-08

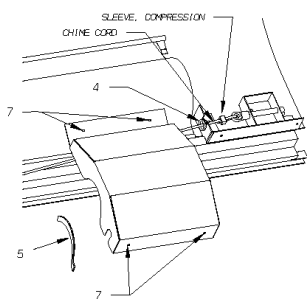
Key	PartNumber	Qty	Description	Comment
1	2000511		SCREW,10-16 X 1/2,AB,PH1,TRUSS HD,	
2	1268119		SCREW,1/4-20X1/2,F,PH1,PAN HD,YEL ZN DICH	
3	0098397		PANEL,ACCESS,FRT UPPER INR,W/BLOWER,	
4	0098396		BRACKET,MTG,BLOWER ASSY,SQUIRREL CAGE,	
5	0098401		LATCH,DOOR,ACCESS,BLOWER,SQUIRREL	
6	0098392		DOOR,ASSY,ACCESS,BLOWER,SQUIRREL CAGE,	
7	0098407		BLOWER,ASSY,SQUIRREL CAGE,BERGSTROM	
8	0098470		FLOOR COVERING,CLOSEOUT,SQUIRREL CAGE	
9	3733003		LOUVRE,RECTANGULAR,ADJUSTABLE	
10	3750734		SCREW,SM,PH,PN/HD,6-20 X 3/4,TYPE AB,A3R	

**Models:** A3FE, A3RE, BBCV, SBCV  
**CHIME**  
**With Features:** OPTION 3040

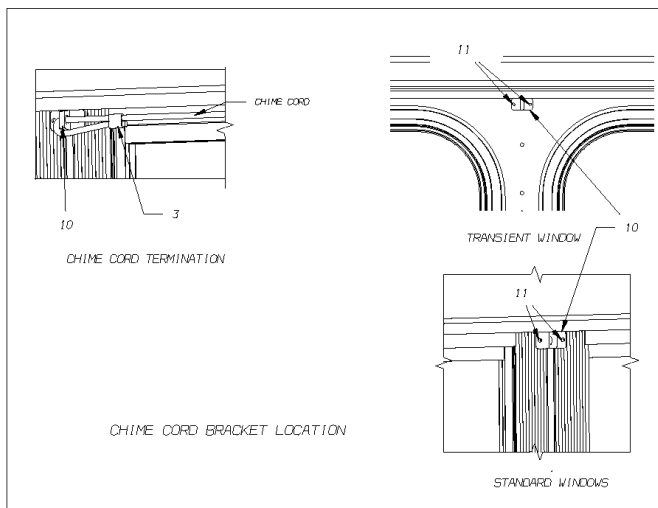
Key	PartNumber	Qty	Description	Comment
-----	------------	-----	-------------	---------



MID-MOUNT LIFT DOORS  
AND EXIT DOORS



CHIME COVER INSTALLATION  
ALL APPLICATIONS



**Models:** A3FE, A3RE, BBCV, SBCV  
**CHIME**  
**With Features:** OPTION 3040

Key	PartNumber	Qty	Description	Comment
1			BRACKET, CHIME COVER	
1			74 HR	
1	0056437		BRACKET,COVER,CHIME,74,RH,OPT 03040	
1	0056908		BRACKET,COVER,CHIME,74,LH,OPT 03040	
1			77 HR	
1	0056438		BRACKET,COVER,CHIME,77,RH,OPT 03040	
1	0056909		BRACKET,COVER,CHIME,77,LH,OPT 03040	
2	2006179		SWITCH,PASSENGER SIGNAL	
3	0839886		SLEEVE,COMPRESSION,3/16,THIN WALL	
4	2003226		GROMMET,RUBBER,W/S WIPER	
5	2004547		TRIM,INSTRUMENT HOOD,VINYL EDGE,BLACK	
6	0052730		COVER,WIRE MOLDING JOINT	
7	0054228		SCREW,10-16 X 3/4,AB,PHI,PN/HD,ZINC,WHITE	
8			COVER ASSY, CHIME	
8	0057358		COVER ASSY,CHIME,74HR,OPT 03040	
8	0057359		COVER ASSY,CHIME,77HR,OPT 03040	
9	1351063		PLUG,BUTTON,BLACK,DP-500,HEYCO 2643	
10			BRACKET, CHIME CORD	
10	1024280		BRACKET,CHIME CORD	STANDARD
10	0602029		BRACKET,O/S CHAIN HOOK	WITH PARCEL RACKS OR BOOK RACKS
11	0527267		SCREW,6-20 X 1/2,AB,PH1,PAN HD,YEL ZN	
NI	2006161		CHIME,PASSENGER	
NI	1334689		SCREW,10-32 X 3/8,F,PH1,PAN HD,YEL ZN DICH	
NI	2006153		CABLE,AIRCRAFT,GALV 6 VINYL	

**Models:** A1VC, A3FE, A3RE, B1VC, B2VC, B4RE, BBCV, BCCV, C1FE, CSFE, C4RE, C5EV, CSFE, CSRE, GMCV, GPWB, AARE, AAFE, H4RE, HDFE, L3RE, L4RE, M4RE, MBWB, Q4RE, QBEV, QBRE, SBCV, T2RE, TCEV, TCFE, TCRE, TSFE, VCTA, W4RE, WLWB  
**GROMMET CHART**

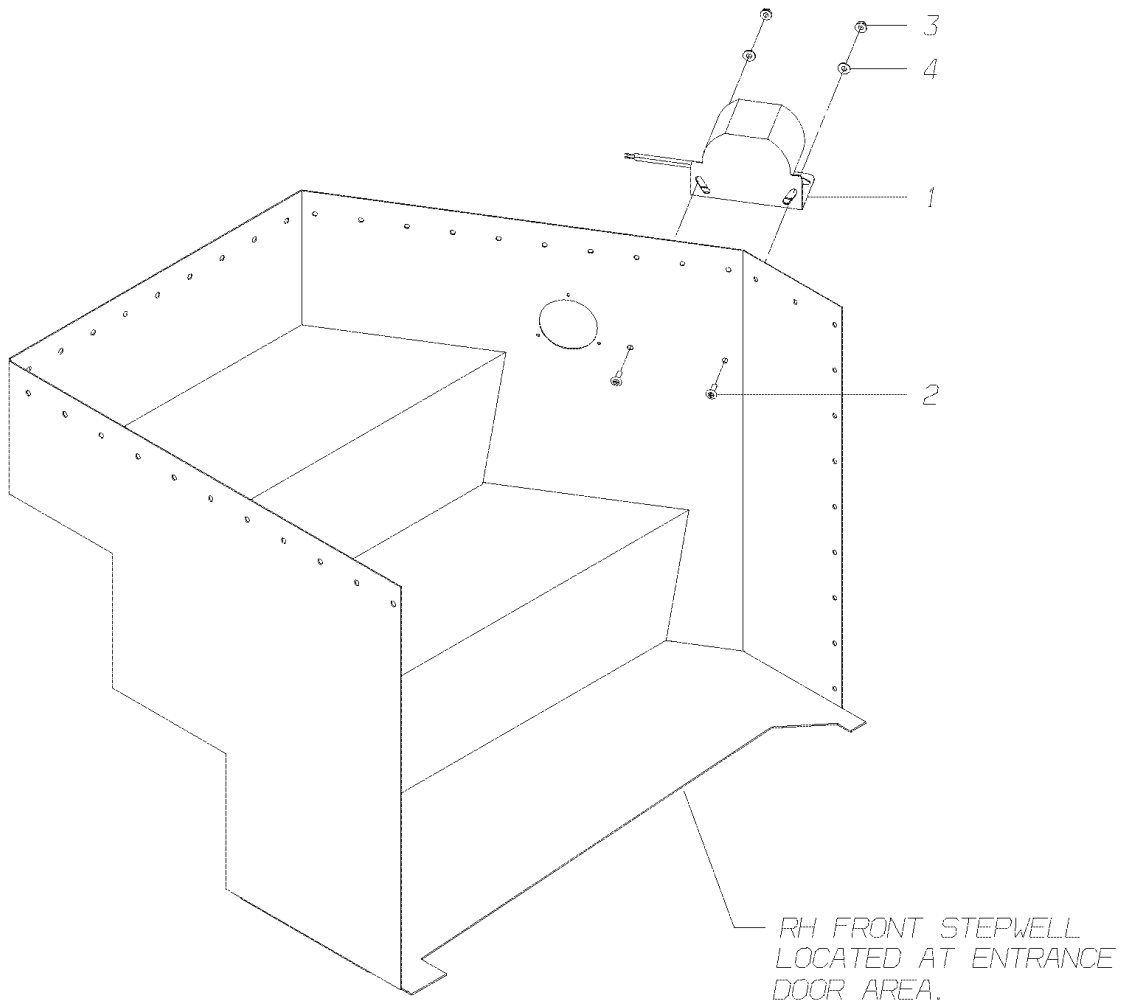
Key	PartNumber	Qty	Description	Comment
	2003150		GROMMET,CHASSIS,COWL WIRING	.16 ID
	1619477		GROMMET,RUBBER,.25 ID X .38 OD	
	2003168		GROMMET,RUBBER	.31 ID
	0890566		GROMMET,RUBBER,ATLANTIC INDIA,NO 2758	.38 ID
	2003218		GROMMET,RUBBER,3/8 ID	.38 ID
	2003226		GROMMET,RUBBER,W/S WIPER	.44 ID
	1508613		GROMMET,RUBBER,ATLANTIC INDIA #2426	.50 ID
	2003192		GROMMET,RUBBER,FC	.75 ID
	2003234		GROMMET,RUBBER,CHASSIS COWL WIRES,3/4	
	1894187		GROMMET,RUBBER,.75 ID W/1.00 X .09	
	2003200		GROMMET,RUBBER,1 IN. ID	
	2003184		GROMMET,RUBBER,HEATER PANEL,1-1/4 IN. ID	
	1610450		GROMMET,RUBBER,1.38 ID X 1.718 OD	
	1652379		GROMMET,RUBBER,1.25 ID W/1.50 X .25	
	0421792		GROMMET,1 3/4 X 1/16 X 1 1/2	
	2003176		GROMMET,HEATER HOSE,1 1/2IN ID	
	0026853		GROMMET,RUBBER,2.125 I.D.	
	0053652		GROMMET,RUBBER,1/4IDX.0625WALL"	
	0063731		GROMMET,RUBBER,1.00 ID	
	0066468		GROMMET,RUBBER,13/32 ID,3/8 GW,5/8 GD	
	0112325		GROMMET,RUBBER,1.75ID W/2.00 X .25	

**Models:** **BBCV**  
**HORN ASSY, HIGH & LOW NOTE**

Key	PartNumber	Qty	Description	Comment
	0088033		HORN,ASSY,HIGH & LOW,NOTE W/HORN	
	0088031		HORN,ASSY,HIGH NOTE,FIAMM 72263	
	0088032		HORN,ASSY,LOW NOTE,FIAMM 72264	
	1985480		HARNESS,WRG,HORN JUMPER	

**Models:** BBCV, SBCV  
**With Features:** HORN INSTALLATION, SLEEPING CHILD CHECK  
FEATURE 30195-11

Key	PartNumber	Qty	Description	Comment
-----	------------	-----	-------------	---------



CV

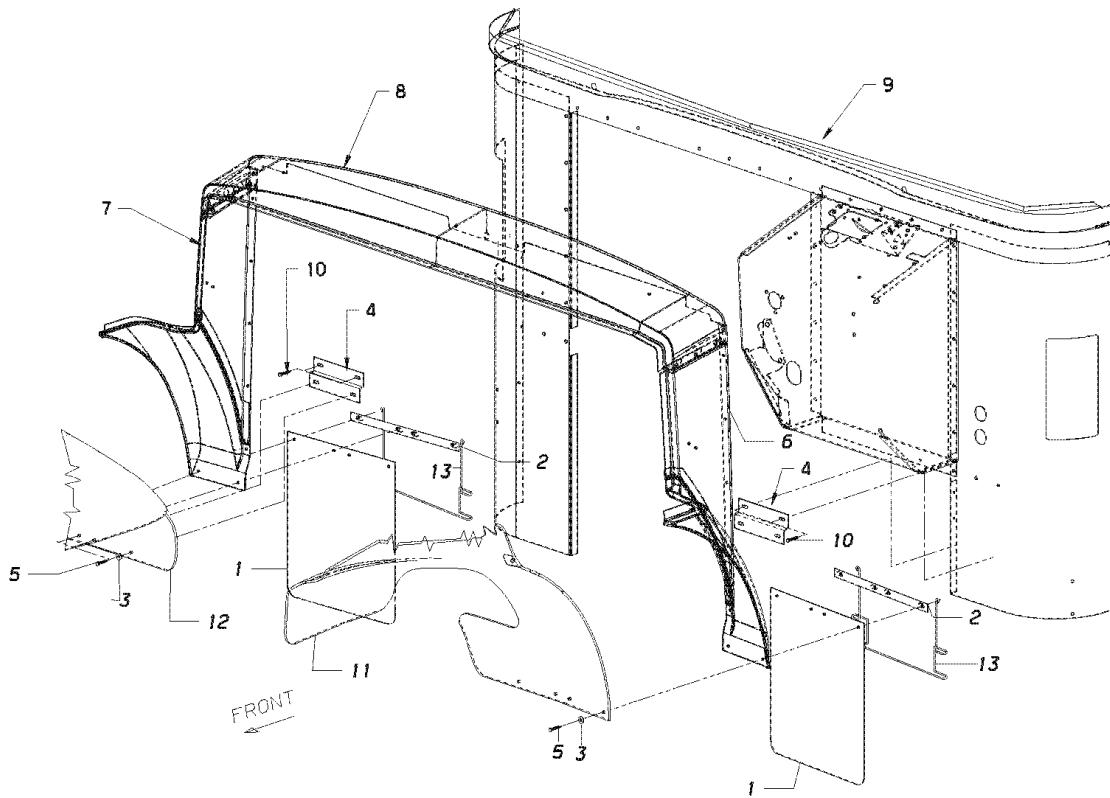
**Models:** BBCV, SBCV  
**With Features:** HORN INSTALLATION, SLEEPING CHILD CHECK  
FEATURE 30195-11

Key	PartNumber	Qty	Description	Comment
1	0003312		HORN,BACKING ALARM,112 DB	
2	0530436	2	SCREW,MACH,1/4-20X3/4,PH1,RD HD,YEL ZN	
3	0659979	2	NUT,HEX,FLANGE SER,1/4-20,BLACK ZINC	
4	1247709	2	WASHER,FLAT,17/64 ID X,5/8,YEL ZN DICH	

**Models:** BBCV, BCCV  
**MUDFLAPS & SPLASH SHIELD**  
**FRONT**

**With Features:** FEATURE 0575  
**To BSN F100349, L171509 (10/08/06)**

Key	PartNumber	Qty	Description	Comment
-----	------------	-----	-------------	---------



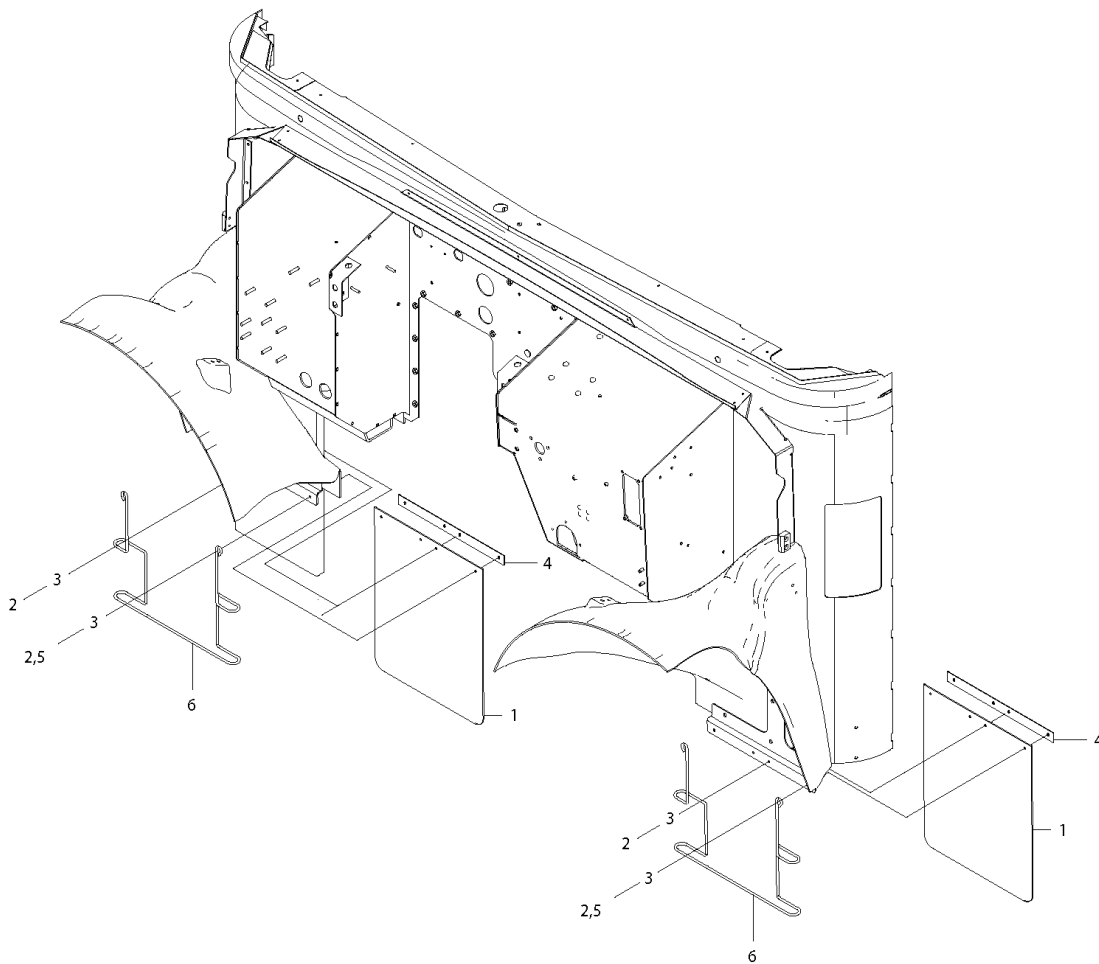
**Models:** BBCV, BCCV  
**MUDFLAPS & SPLASH SHIELD  
 FRONT**  
**With Features:** FEATURE 0575  
 To BSN F100349, L171509 (10/08/06)

Key	PartNumber	Qty	Description	Comment
1	0058337		MUDFLAP,FRONT,BBCV	ENDING WITH BSN F10065534
1	0076761		MUDFLAP,FRONT,RUBBER,16.00 X 20.50, BBCV	BEGIN WITH BSN F10065535
2	0058341	2	PLATE,ASSY,MUDFLAP,ATTACHING,BBCV	
3	1260017	8	WASHER,FLAT,9/32 X 1 1/4 X 5/64,YEL ZN	
4	0058343	2	BRACKET,ATCH,MUDFLAP,BBCV	
5	0977132	8	CAPSCREW,HEX HD,1/4-20 X 3/4,GR 5,YEL	
5	0870477		CAPSCREW,HEX HD,1/4-20 X 1,GR 8,YEL ZN	*USE WITH KEY #13.
6	0055522		FENDER,EXTENSION,ASSY,LH,NSBY,BBCV	
7	0055525		FENDER,EXTENSION,ASSY,RH,NSBY,BBCV	
8	0057162		PANEL ASSY,COWL,CENTER,BBCV	
9				SEE GROUP 300 FOR FRONT ASSEMBLY.
10	1094275	4	SCREW,1/4-14X3/4,HEX HD,SELFDRIILL,	
11	0055550		SPLASH SHIELD,CHASSIS MOUNTED,LH,BBCV	ENDING WITH BSN L10133499
11	0074775		SPLASH SHIELD,CHASSIS MOUNTED,LH	BEGIN WITH BSN L10133500
12	0055551		SPLASH SHIELD,CHASSIS MOUNTED,RH,BBCV	ENDING WITH BSN L10133499
12	0074776		SPLASH SHIELD,CHASSIS MOUNTED,RH	BEGIN WITH BSN L10133500
13	0084896		BRACKET,MUDFLAP,ANTI-SAIL,PAIR,FRONT,	* USE KEY # 5.

**Models:** BBCV, BCCV  
**MUDFLAPS & SPLASH SHIELD  
FRONT**

**With Features:** FEATURE 00575 WITH OR WITHOUT FEATURE 30513-01  
**BSN:** From BSN F100350, L171510 (10/09/06)

Key	PartNumber	Qty	Description	Comment
-----	------------	-----	-------------	---------



**Models:** **BBCV, BCCV**  
**MUDFLAPS & SPLASH SHIELD**  
**FRONT**

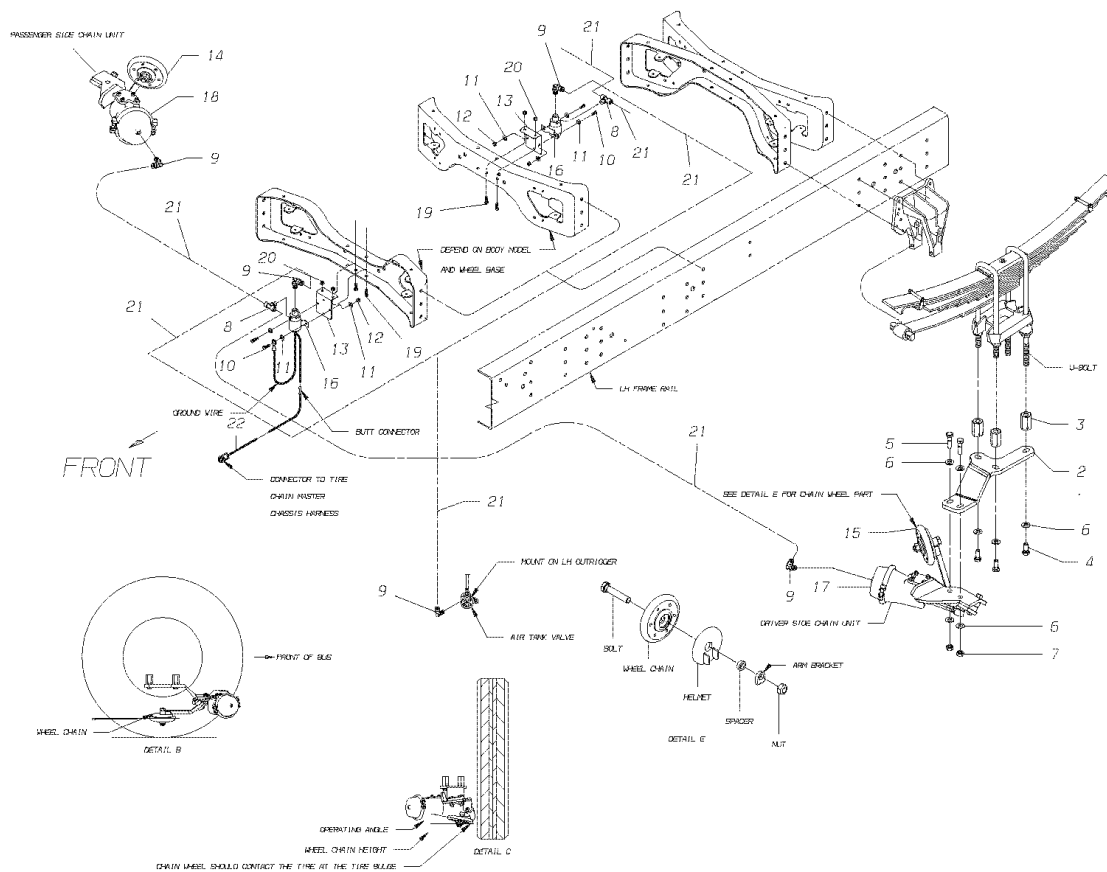
**With Features:** **FEATURE 00575 WITH OR WITHOUT FEATURE 30513-01**  
**BSN:** **From BSN F100350, L171510 (10/09/06)**

Key	PartNumber	Qty	Description	Comment
1	0076761		MUDFLAP,FRONT,RUBBER,16.00 X 20.50, BBCV	<i>FEATURE 00575</i>
2	0977132		CAPSCREW,HEX HD,1/4-20 X 3/4,GR 5,YEL	<i>FEATURE 00575</i>
3	1260017		WASHER,FLAT,9/32 X 1 1/4 X 5/64,YEL ZN	<i>FEATURE 00575</i>
4	0058341		PLATE,ASSY,MUDFLAP,ATTACHING,BBCV	<i>FEATURE 00575</i>
5	0870477		CAPSCREW,HEX HD,1/4-20 X 1,GR 8,YEL ZN	<i>FEATURE 00575 WITH FEATURE 30513-01</i>
6	0084896		BRACKET,MUDFLAP,ANTI-SAIL,PAIR,FRONT,	<i>FEATURE 00575 WITH FEATURE 30513-01</i>

**Models:** A3FE, BBCV, C3FE  
**SNOW CHAINS, ON SPOT  
 INSTALLATION**

**With Features:** FEATURE 40390-05

Key	PartNumber	Qty	Description	Comment
-----	------------	-----	-------------	---------



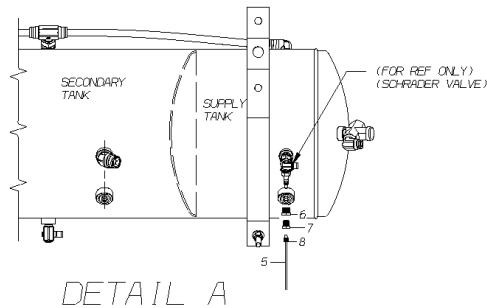
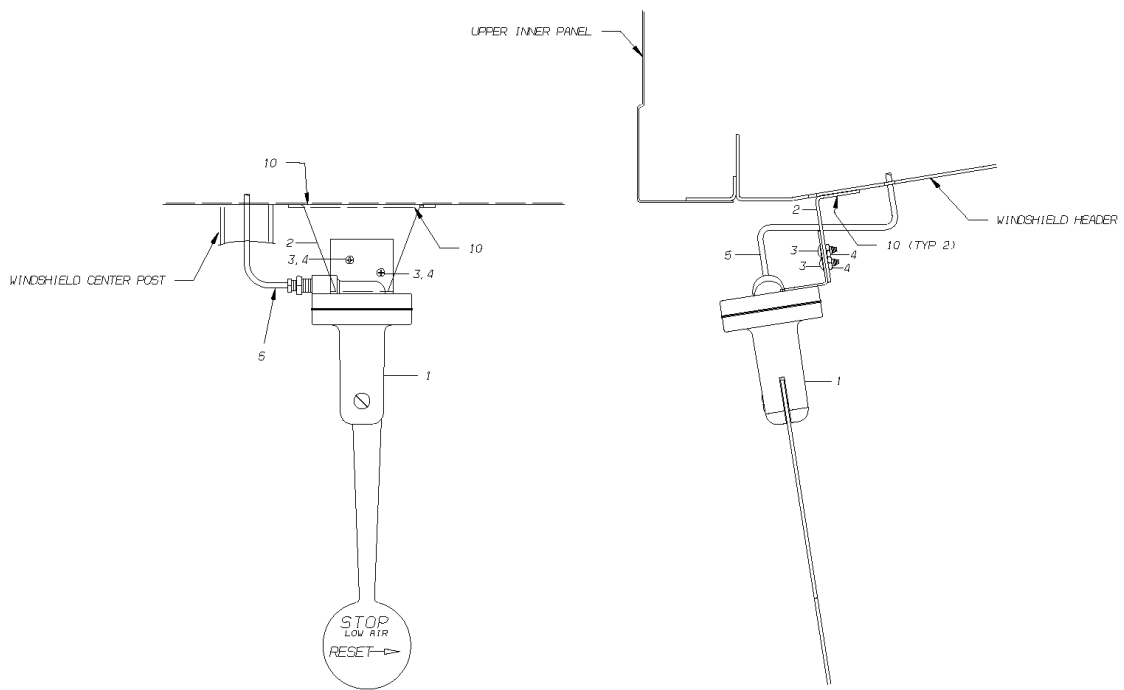
**Models:** **A3FE, BBCV, C3FE**  
**SNOW CHAINS, ON SPOT**  
**INSTALLATION**

**With Features:** **FEATURE 40390-05**

Key	PartNumber	Qty	Description	Comment
	0082349		BRACKET,MOUNTING,SNOW CHAINS,05-6452-B	<i>CONSISTS ON THE FOLLOWING</i>
1			BRACKET, MTG, CHAIN UNIT, PASSENGER	
2			BRACKET, MTG, CHAIN UNIT, DRIVER	
2	0082350		KIT,TIRE,CHAIN,ONSPOT 05-001	<i>CONSISTS OF THE FOLLOWING</i>
3		6	ADAPTER NUTS	
4		6	CAPSCREW, 5/8-11 X 1-1/2 LONG	
5		4	CAPSCREW, 5/8-11 X 2-1/4 LONG	
6		14	FLAT WASHER, 5/8	
7		4	LOCKNUT, 5/8-11	
8			CONNECTOR TEE	
9		4	CONNECTOR ELBOW	
10		2	CAPSCREW, 1/4-20 X 1 LONG	
11		4	FLATWASHER, 1/4	
12		2	LOCKNUT, 1/4-20	
13			BRACKET, MOIUNTING VALVE	
14			CHAIN WHEEL, BLUE, PASSENGER SIDE	
15			CHAIN WHEE, RED, DRIVER SIDE	
16			SOLENOID, VALVE	
17			CHAIN UNIT, DRIVER SIDE	
18			CHAIN UNIT, PASSENGER SIDE	
19	0977132	2	CAPSCREW,HEX HD,1/4-20 X 3/4,GR 5,YEL	
20	0659979	2	NUT,HEX,FLANGE SER,1/4-20,BLACK ZINC	
21	0989319	AR	TUBING,PLASTIC,3/8 OD,BLACK,SAE J844 TYPE	
22	0084313		WIRE,ASSY,TIRE CHAINS,FEA 40390-05	
NI	0036507		TERMINAL,BUTT CONN,14-16GA,INSL,HEAT	<i>BBCV ONLY</i>
NI	0103224		HARNESS,WRG,TIRE CHAIN,FEA 40390-05,	<i>BBCV ONLY</i>
NI	0084312		HARNESS,WRG,TIRE CHAINS,MSTR CHAS	<i>A3/C3 ONLY</i>
NI	1161876		RELAY,ISO,W/O TAB	<i>A3/C3 ONLY</i>

**Models:** BBCV  
**WIG-WAG, AIR, PRESSURE INDICATOR**  
**With Features:** OPTION 1462

Key	PartNumber	Qty	Description	Comment
-----	------------	-----	-------------	---------



**Models:** **BBCV**  
**With Features:** **WIG-WAG, AIR, PRESSURE INDICATOR**  
**OPTION 1462**

Key	PartNumber	Qty	Description	Comment
1	1339571		INDICATOR,LOW PRESS,AIR,WIG-WAG,RH	
2			BRACKET, SUR-VAC & WIG-WAG ATCH	
2	0007302		BRACKET,SUR-VAC&WIG-WAG ATCH,2FF2,4FF2,	<i>FEATURE 30400-01,ASTRO WHITE</i>
2	0075888		BRACKET,MTG,SUR-VAC & WIG-WAG,FLORIDA	<i>FEATURE 30400-02, FLORIDA GRAY</i>
2	0070926		KIT,SEAT,AM,2000 W/FT REST & YVP24964	<i>FEATURE 30400-03, KENTUCKY BLUE</i>
2	0086941		BRACKET,MTG,SUR-VAC & WIG-WAG,GREEN	<i>FEATURE 30400-04, SEA FOAM GREEN</i>
3	2000750		SCREW,MACH,10-24 X 1/2,PH1,RD HD,YEL	
4	2001279		NUT,HEX HD,10-24,YEL ZN DICH"	
5	0557652		TUBING,COPPER,1/8 OD	
6	2008050		BUSHING,PIPE,1/8 TO 1/4,BRASS	
7	0557686		CONNECTOR,MALE,THRD SLVE 1/8 T 1/8 P	
8	0557660		NUT,THREADED,SLEEVE 1/8,TUBE 6100 X 2	
9	2008563		CLAMP,HALF,.250	
10	1164821		SCREW,10-16 X 3/4,AB,PH1,TRUSS HD, YEL ZN	
11	0029999		TIE,CABLE,120LB 15.25L	
12	1510775		LOOM,CORRUGATED,BLACK NYLON,1/4 ID,SS	